

ASSET MONITORING

Septilink provides you with real-time status and a long-term historical log of your systems operation by tracking up to 4 auxiliary inputs, current and air pressure sensing, and 3 auxiliary outputs.

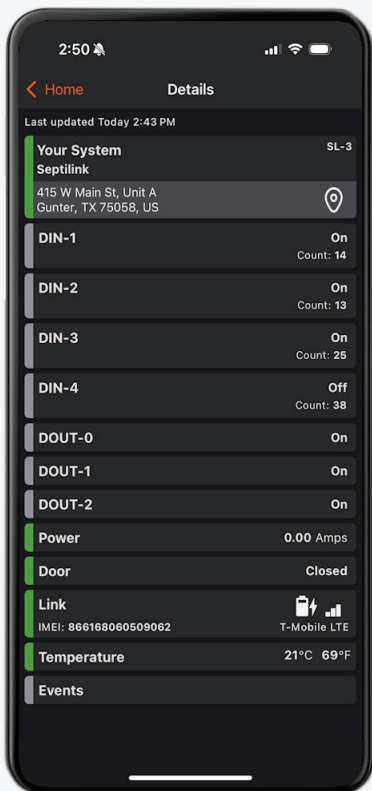
APPLICATIONS

Designed as a rugged remote monitoring and control device, the SL-3 provides visibility into a variety of assets including septic systems, restrooms, detention ponds, buildings, and water tanks.



REMOTE MONITORING TECHNOLOGY

DATA AT YOUR FINGERTIPS



CONTROL OUTPUTS

The SL-3 provides 3 auxiliary outputs for users to individually configure on/off schedules on the mobile app. These schedules can be programmed as a cycle timer, or up to 4 unique time-of-day/day of week schedules.



SENSOR INPUTS

The SL-3 supports 4 auxiliary inputs that can be interfaced as either 120VAC or closed contact inputs. The SL-3 also monitors the pass-through current and air pressure of an external air source.



DATA ANALYTICS

Real time status of inputs and outputs, as well as a historical record and accumulation of input changes can be configured and viewed on the mobile app.



CONNECTION & LOCATION

The SL-3 connects wirelessly with all of the major North American cellular network and is highly reliable even in areas of weak signal strength. A GPS receiver is integrated into the SL-3 and provides an accurate

SL-3 | Innovative and Reliable

Electrical	
Operating Power	120VAC 0.15A 20W 1PH 60Hz
Pass-through Current	120VAC 30A (Max) (1 HP Max)

Physical Dimensions	
Dimensions	8" x 6" x 4" 203mm x 152mm x 102mm
Weight	4 lbs 1.8 kg
Mounting	Horizontal or Vertical Mounting Feet suitable for uneven surfaces
Material	Polycarbonate

Features	
Color-coded, Tool-free WAGO Wire Terminals	
Reliable Pass-Through Operation	
Surge Protection with LED Indication	
5V & 12V Power Supply Diagnostic LEDs	
Internal Status LEDs	
Hinged Cabinet with Door Open Detection	
Power Fail Detection and Reporting	
Remote Control & Configuration via Septilink App	
1 Year Warranty	

Certifications	
UL	UL STD 61010-1 CSA STD C22.2#61010-1
Enclosure UL	Type 1, 3R, 4, 4X, 12 UL 94-5VA CE Certified cULus Listed File #E319779 cULus Listed File #E362920 Outdoor Exposure UL746c (f1)
FCC ID	APV-2650MB
IC	5843C-2650MB

Environmental	
Temperature	-30°C - 60°C (-22°F - 140°F)
Humidity	85% RH @ 50°C NON-CONDENSING
Max Altitude	3000 Meters

Monitoring	
Current Monitoring (0-20 Amps)	
Air Pressure (0-15 PSI)	
System Power Fail Detection	
Power Surge Protection Failure Detection	
Pump Run Time and Daily Cycle Count	
System GPS Location (Actual System location)	
Enclosure Door Status (Open/Closed)	
High Water Level Alarm	
Low & High Air Pressure (Normal/Alarm)	
Disinfection Input Status (Normal/Alarm)	
Water Meter Input (Pulse Count)	
Network Status (Signal Strength, 2G/3G/4G)	
GPS Clock (Never loses time)	

Installer Connections* (J1) AC Only	
1 - Input Power Line (BLACK)	120VAC 30A Max
2 - Input Power Neutral (WHITE)	
3 - Input Power Ground (GREEN)	
4 - Output Power Line (BLACK)	120VAC 30A Max
5 - Output Power Neutral (WHITE)	
6 - Output Power Ground (GREEN)	
7 - AUX1 Input (GRAY)	
8 - AUX2 Input (GRAY)	
9 - AUX3 Input (GRAY)	
10 - AUX4 Input (GRAY)	

*Lever Actuation Connector
AWG 8-24 Solid/Stranded
Strip Length 0.43 -0.51 inches

Communications	
Cellular Technology	4G LTE CAT-M1 & GSM
Cellular Networks	AT&T, T-Mobile, Verizon, Alaska, US Cellular, Bell, Telus, Rogers, Videotron
Cellular Antenna	Internal
GPS Antenna	Internal
Shock and Vibration	U.S. Military Standards 202G, 810F, SAE J1455
Battery	Internal 1100mAh

Enclosure Connections** (J2) (12VDC MAX)	
1 - Door Switch +	Door Sensor Circuit
2 - Door Switch -	Door Sensor Circuit
3 - AUX1 +	High-Level Alarm Circuit
4 - AUX1 -	High-Level Alarm Circuit
5 - AUX2 +	Disinfection Alarm Circuit
6 - AUX2 -	Disinfection Alarm Circuit
7 - AUX3 +	Water Meter Circuit
8 - AUX3 -	Water Meter Circuit
9 - AUX4 +	Protection Circuit
10 - AUX4 -	Protection Circuit
11 - OUT1	Relay Control Output 150 mA max to GND
12 - OUT2	Relay Control Output 150 mA max to GND
13 - OUT3	Relay Control Output 150 mA max to GND
14 - 12VDC	12VDC Output for OUT 1-3 (0.5A max)

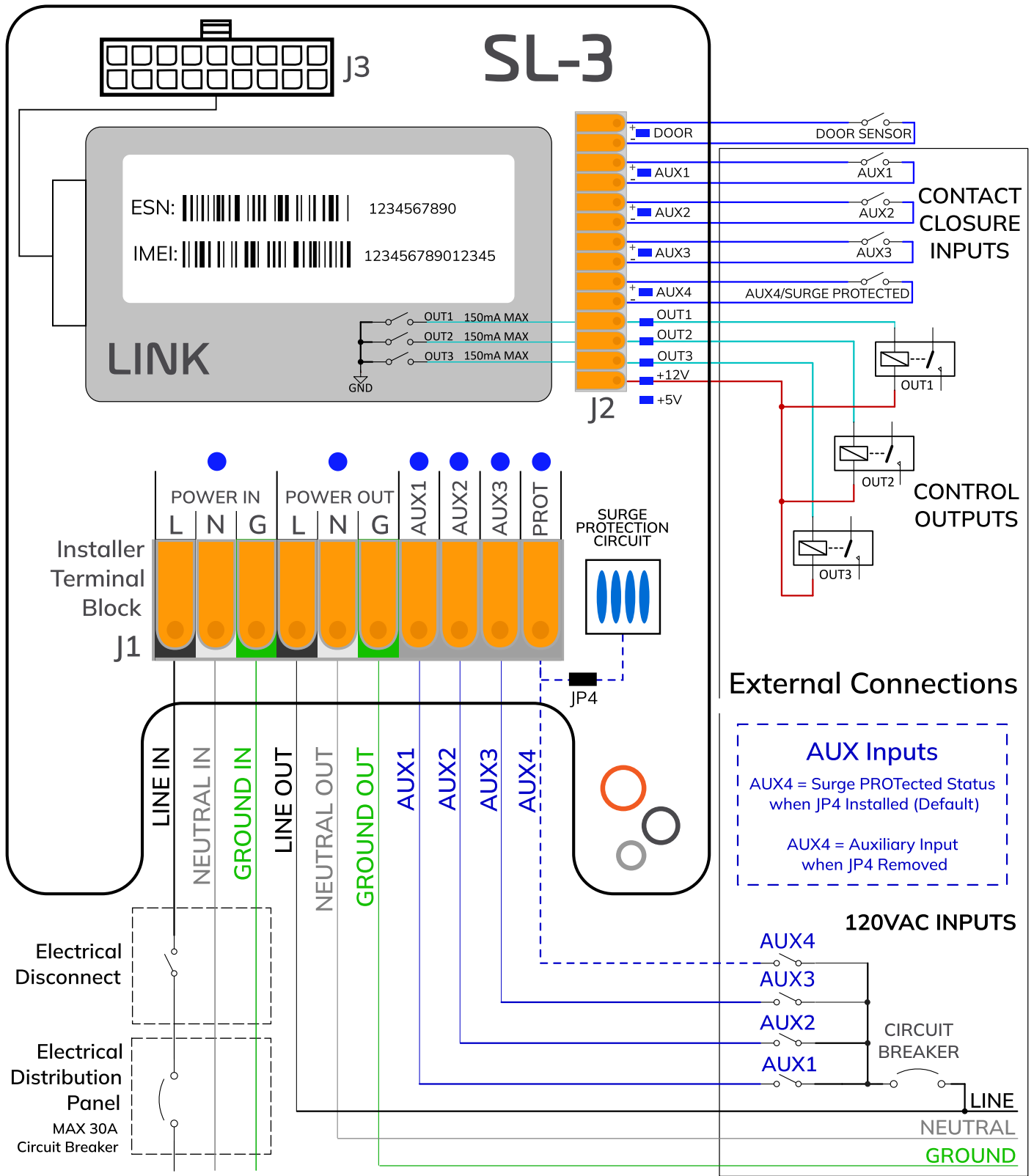
**Lever Actuation Connector
AWG 14-26 Solid/Stranded
Strip Length 0.31 -0.35 inches

Configurable Outputs (Septilink Mobile App)	
OUT1	Up to 4 Concurrent Schedules Time-of-Day (Start & End) Day-of-Week (M-T-W-T-F-Sa-S)
OUT2	Up to 4 Concurrent Schedules Time-of-Day (Start & End) Day-of-Week (M-T-W-T-F-Sa-S)
OUT3	Cycle Timer On/Off Hours:Minutes

Clock Example:
Sch1 (8:00 am - 5:00 pm M-T-W-T-F)
Sch2 (10:30 am - 4:00 pm Sa-S)

Cycle Timer Example:
On (20 Minutes)
Off (40 Minutes)





External Overcurrent Protection and Electrical Disconnection are required.

DANGER

To reduce the risk of electric shock, disconnect power to unit before opening the cover.

DANGER

Pour réduire le risque d'une décharge électrique, débrancher avant d'ouvrir le couvercle.



CONFORMS TO
UL STD 61010-1
CERTIFIED TO
CSA STD C22.2#61010-1



MODEL: SL-3
RATING: 120 VAC 30 AMPS 1 PH 60 Hz
ENCLOSURE TYPE: 1; 3R; 4; 4X; 12
MAX ALTITUDE: 3000 METERS
HUMIDITY: 85% RH @ 50°C NON-CONDENSING

